

HK526F

WIRELESS DOOR BELL IC

REMOTE CONTROL WITH 3 SOUNDS

Features

- * Oscillator frequency matched to the ENCODER HK526E
- * $2^8 = 256$ set address bus for "0", "1" binary setting
- * With 3 cycles check signal each time
- * RC circuit for envelope effect for sound quality adjusting
- * Can be option 3 kinds sound effect by "DING DONG", "DING DING" and "Westminster Bell"
- * Be fixed 1 time while getting trigger signal from TG pin of encoder (HK526E)

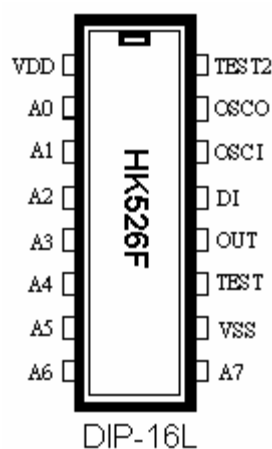
General Description

The HK526F is a CMOS ASIC IC for wireless door bell receiver used. It will receive the encoding signal from HK526E (encoder) with a DING-DONG, DING-DING or Westminster Bell for output if addresses bus setting are checked the same.

Application

- * Wireless door bell
- * Visitor chime
- * Security system etc....

PinOut Diagram



Pin Assignment

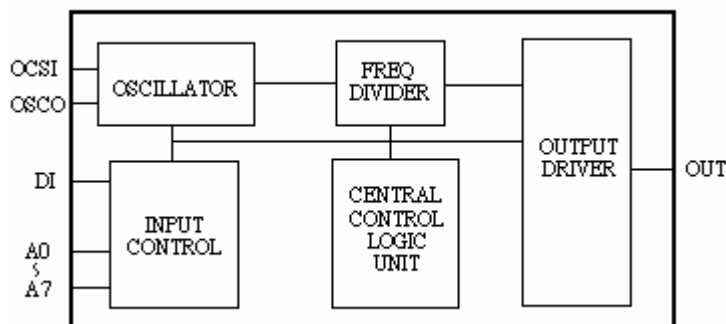
PIN NO	PIN NAME	DESCRIPTION
1	VDD	Positive power supply
2	A0	2 States address inputs
3	A1	2 States address inputs
4	A2	2 States address inputs
5	A3	2 States address inputs
6	A4	2 States address inputs
7	A5	2 States address inputs
8	A6	2 States address inputs
9	A7	2 States address inputs
10	VSS	Negative power supply
11	TEST	Test pin
12	OUT	Audio output
13	DI	Data input
14	OSCI	Oscillator input
15	OSCO	Oscillator output
16	TEST 2	Test pin

HK526F

WIRELESS DOOR BELL IC

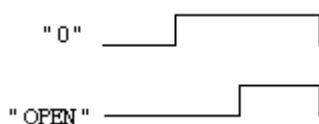
REMOTE CONTROL WITH 3 SOUNDS

Block Diagram

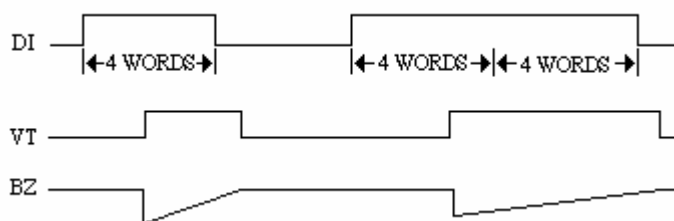


Timing Waveform

Bit Format



Timing Diagram



Maximum Rating (TA = 25°C)

Parameter	Rating	Unit
Supply Voltage	-0.3 ~ 5.0	V
Input Voltage	-0.2 ~ VDD + 0.2	V
Operating Temperature	-20 ~ 75	°C
Storage Temperature	-50 ~ 125	°C

Electrical Characteristics (VDD = 4.5V unless otherwise specified)

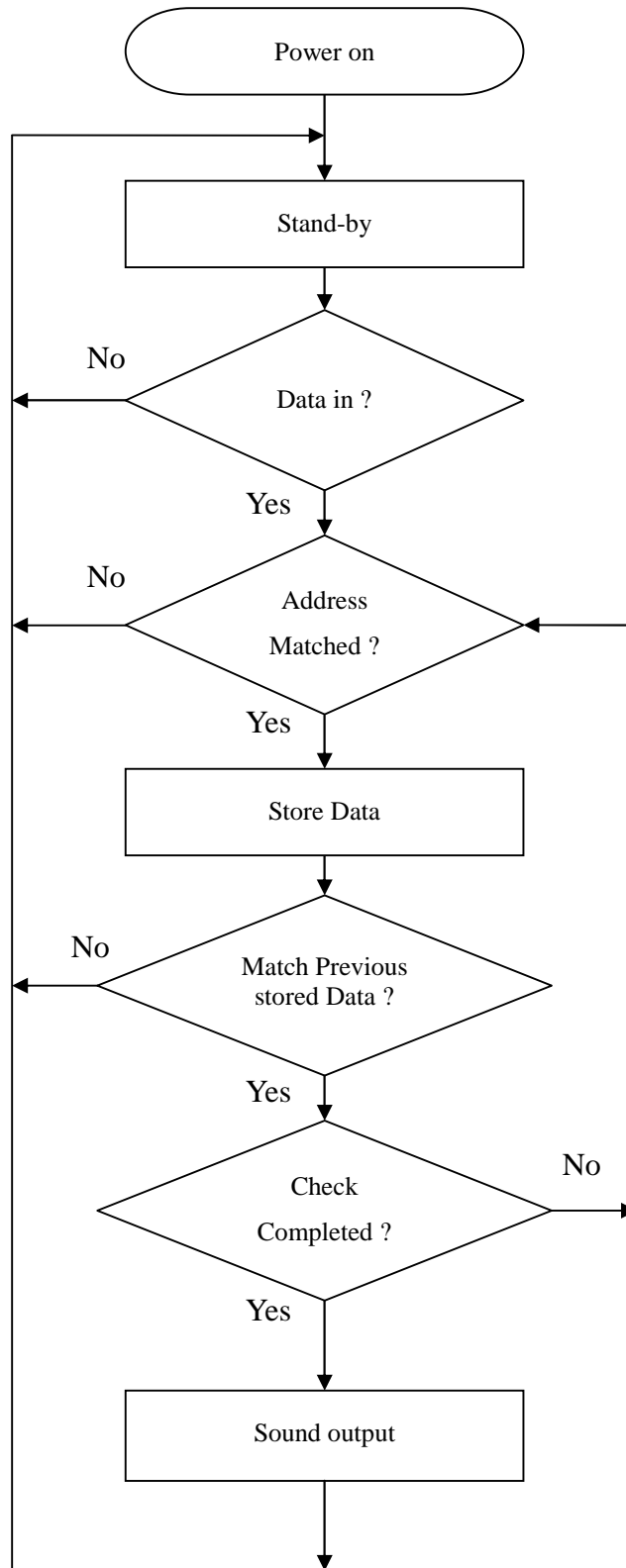
Parameter	Symbol	Conditions	Min	Typ	Max	Unit
Operating Voltage	VDD		2.8	4.5	5.0	V
Quiescent Current	ISB		-	1	10	uA
Operating Current	IOP	No load	-	0.3	1	mA
Output Drive Current	IO	@ Vds = 1.2 V	-	2	-	mA
Input Voltage	V _{IH}		VDD - 0.2	VDD	VDD	V
	V _{IL}		VSS	VSS	VSS + 0.2	V
Oscillator Frequency	FOSC	External +/- 30%	-	85	-	KHz

HK526F

WIRELESS DOOR BELL IC

REMOTE CONTROL WITH 3 SOUNDS

Operating Flowchart

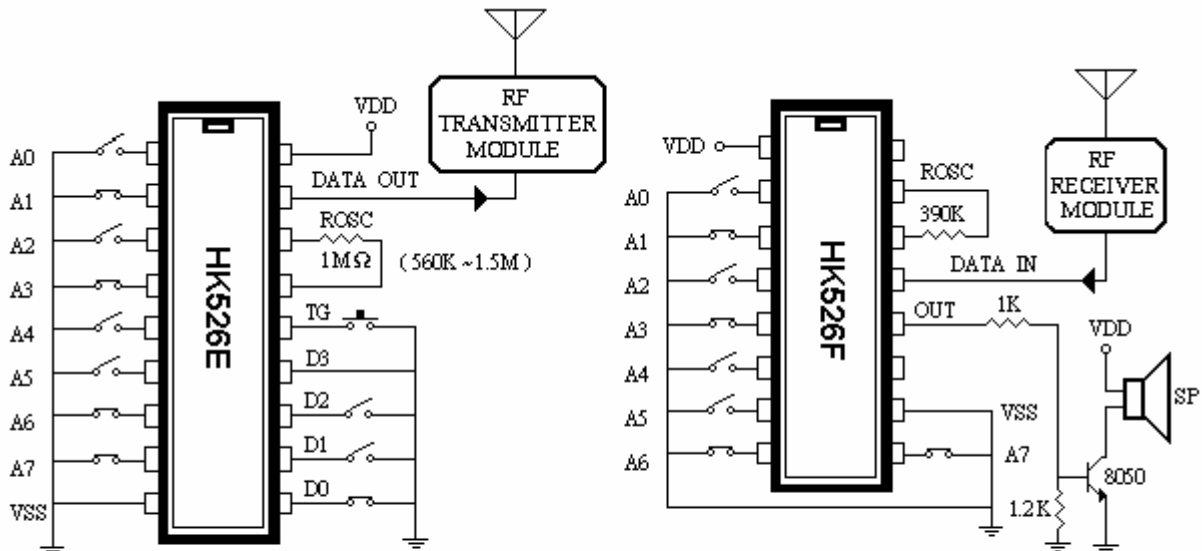


HK526F

WIRELESS DOOR BELL IC

REMOTE CONTROL WITH 3 SOUNDS

Application Circuit



D0	D1	D2	TG	SOUND EFFECT	SOUND OUTPUT
VSS	OPEN	OPEN	⌋	DING-DONG	1 TIME
OPEN	VSS	OPEN	⌋	DING-DING	1 TIME
OPEN	OPEN	VSS	⌋	WESTMINSTER BELL	1 TIME